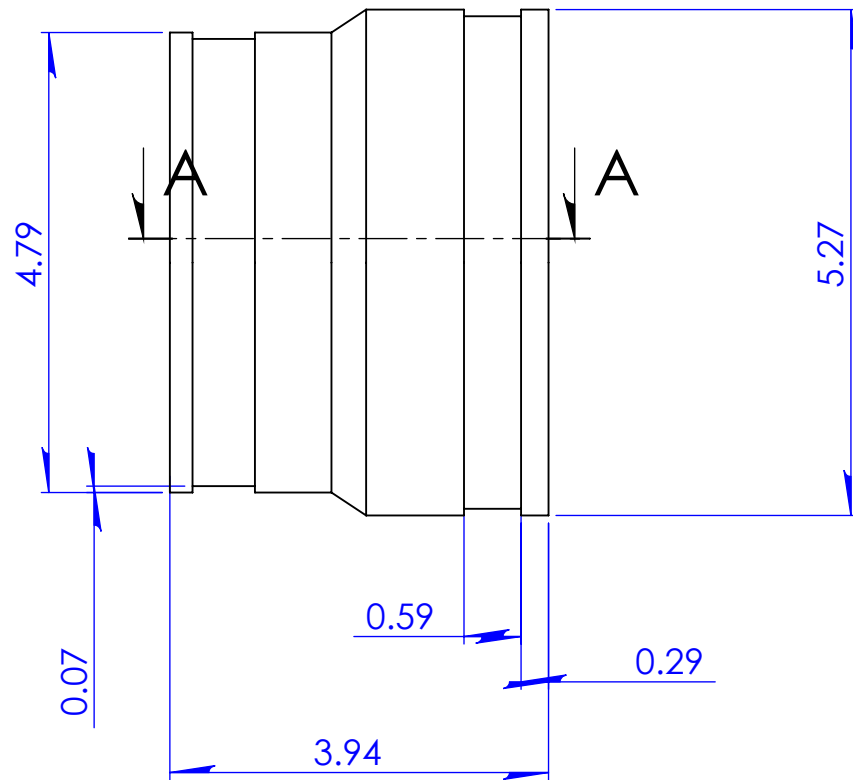
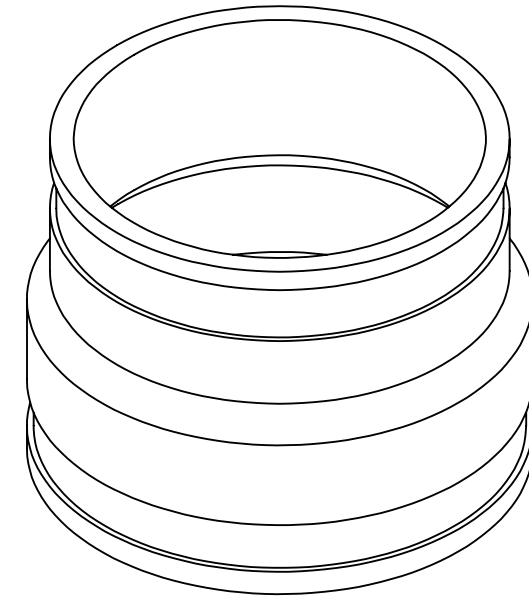
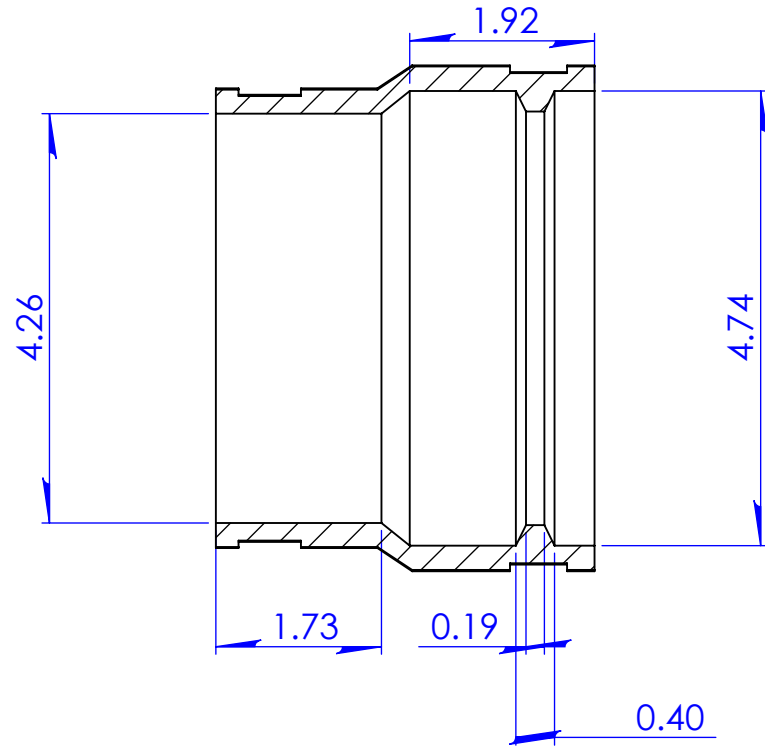


# SECTION A-A



300 S. DAYTON ST.  
 DAVISON, MI 48423  
 PH: 810-653-9626  
 FAX: 810-654-2616

Part Weight	0.087 lbs.
Min/Max Temp.	-30/140 Degrees F
Pressure Tested	4.3 PSI
Material	Flexible PVC 60 Duro Shore A
Installation Torque	60" Lbs.
Conforms to ASTM	D5926, C1173
Box Quantity	20
Clamps used	300 Series

<b>TOLERANCES:</b> .X= Fractional ± .XX= ±.060 .XXX= ±.032 ANG.= ±0.5° UNLESS OTHERWISE SPECIFIED		DESCRIPTION: Coupling 4" ADS x 4" Cast Iron/Plastic	
		<h2>1070-44</h2>	
UNITS: INCHES	SIZE: <b>A</b>	DESIGNER: D. Brady	SCALE: not to scale
3RD ANGLE PROJECTION DO NOT SCALE DRAWING		CHECKER:	DATE: 7/20/2009 SHEET 1 OF 1

**PROPRIETARY AND CONFIDENTIAL**  
 THE INFORMATION CONTAINED IN THIS DRAWING IS THE SOLE PROPERTY OF FERNCO, INC. ANY REPRODUCTION IN PART OR AS A WHOLE WITHOUT THE WRITTEN PERMISSION OF FERNCO, INC. IS PROHIBITED.