

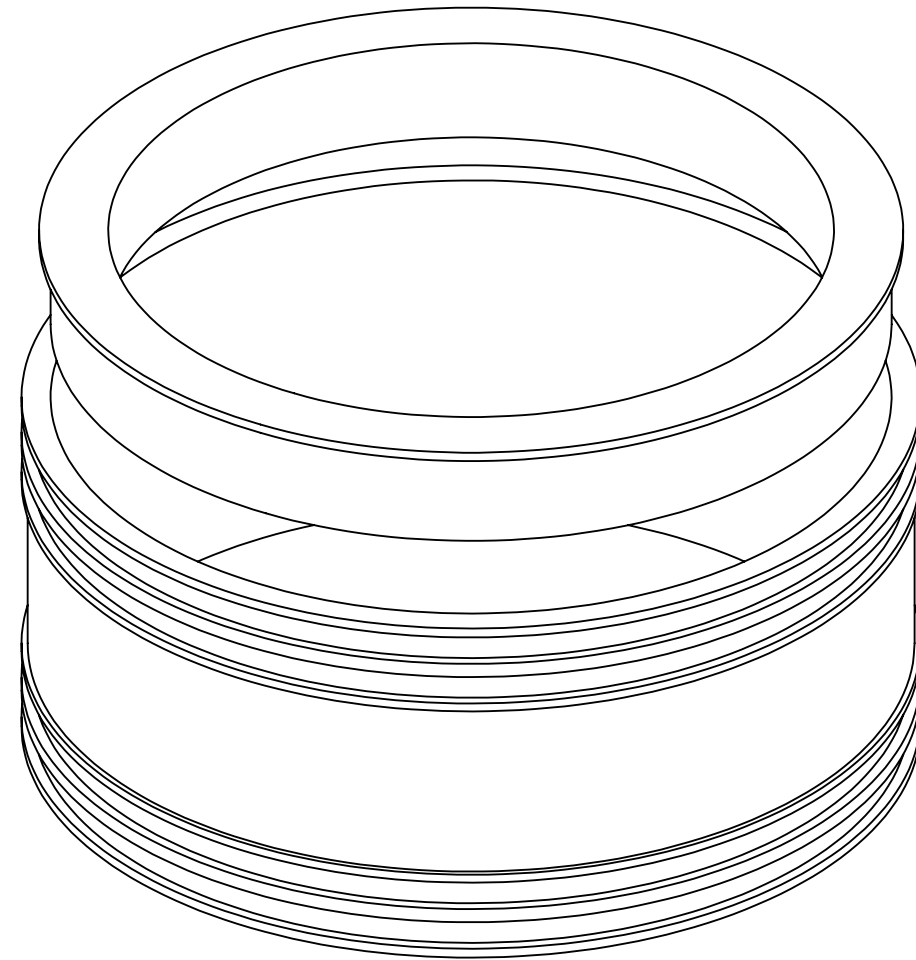


300 S. DAYTON ST.
 DAVISON, MI 48423
 PH: 810-653-9626
 FAX: 810-654-2616

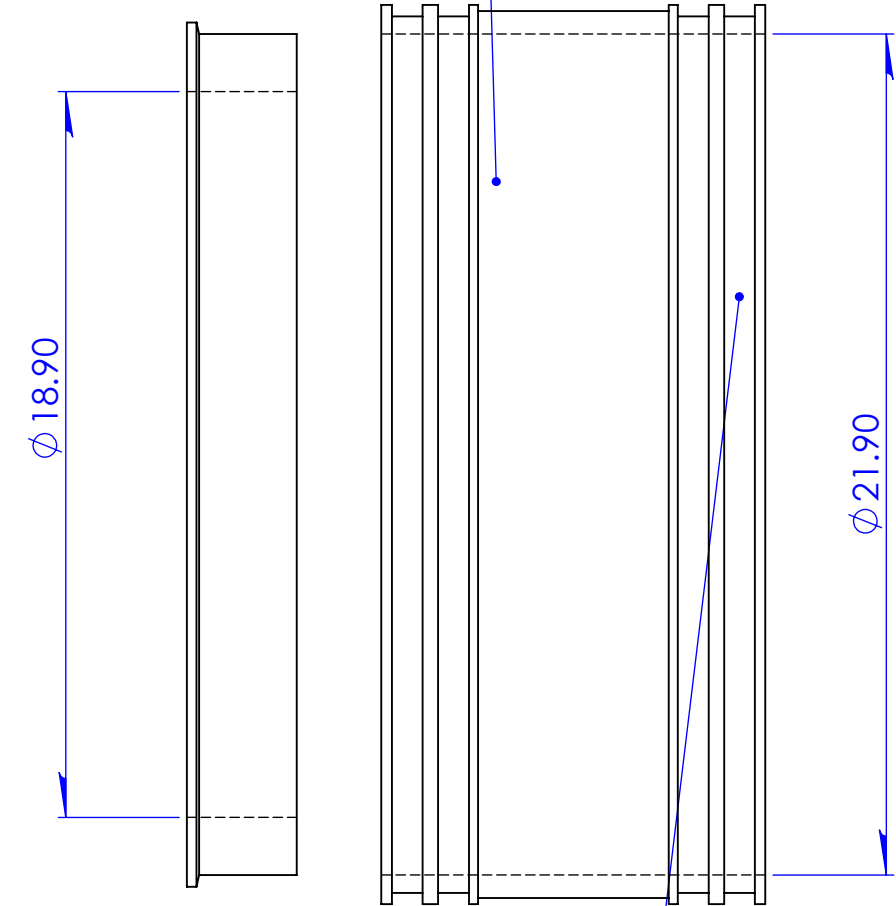
1002-1818RC

DESCRIPTION:

18" Clay to 18" CI/PL



300SS Shear Ring
 60in lbs installation torque



300SS HT Clamps 4 locations
 - 120 in lbs installation torque

Note

PROPRIETARY AND CONFIDENTIAL
 THE INFORMATION CONTAINED IN THIS
 DRAWING IS THE SOLE PROPERTY OF
 FERNCO, INC. ANY REPRODUCTION IN
 PART OR AS A WHOLE WITHOUT THE
 WRITTEN PERMISSION OF FERNCO, INC.
 IS PROHIBITED.

TOLERANCES:
 Fractional $\pm 1/4"$
 .XX = $\pm .06$
 ANG. = $\pm 3^\circ$
 UNLESS OTHERWISE SPECIFIED

Part Weight		Installation Torque	120 in lbs	UNITS:	SIZE:	DESIGNER:	SCALE:
Min/Max Temp.	-30/140 Degrees F	Conforms to ASTM	D5926, C1173	INCHES	A	N. Goddard	not to scale
Pressure Tested		Clamps used	300 Series Stainless	3RD ANGLE PROJECTION		CHECKER:	DATE: 2/15/2016
Material	Flexible PVC 60 Duro Shore A	Box Quantity		DO NOT SCALE DRAWING			