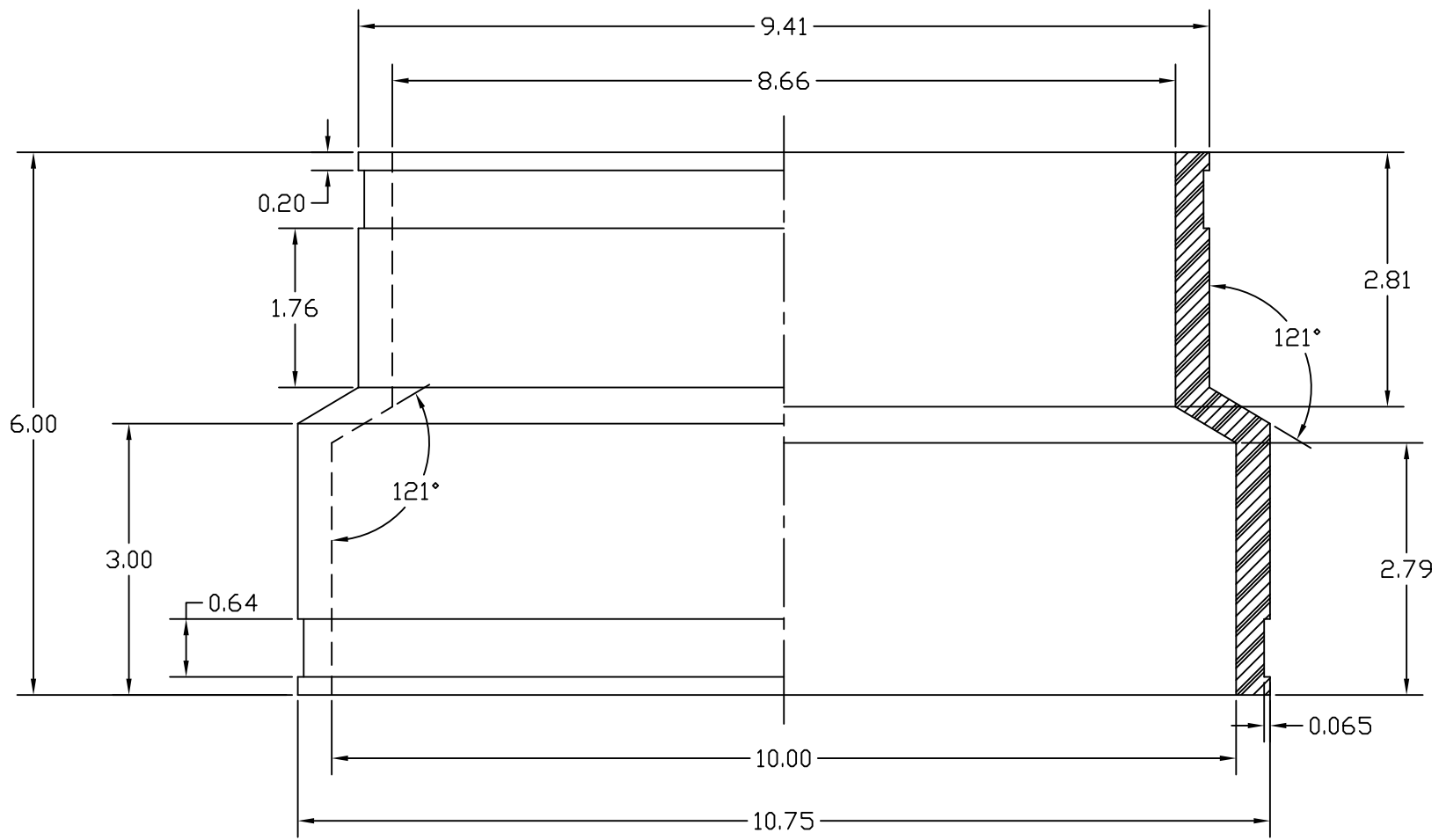



REVISIONS				
ZON#	REV	DESCRIPTION	DATE	APPROVED



\*Notes\*

1. Gasket; Black Plasticized PVC, 65 Duro Shore A, Conforming to ASTM D 5926
2. Clamps; 300 Series St. Stl., Installation Torque 60"lbs.
3. Coupling; Complies with ASTM C 1173

UNLESS OTHERWISE SPECIFIED: DIMENSIONS ARE IN INCHES TOLERANCES				
DECIMALS	ANGULAR			
.XX ± .06	± 0.5°	DRAWN		
.XXX ± .032	DO NOT SCALE DRAWING	DATE	8" PVC, CI to 8" W. CST. CLAY	
CHECKED			SIZE	FSCM NO.
			A	
			DWG NO.	1002-88WC
				WEST COAST CLAY