

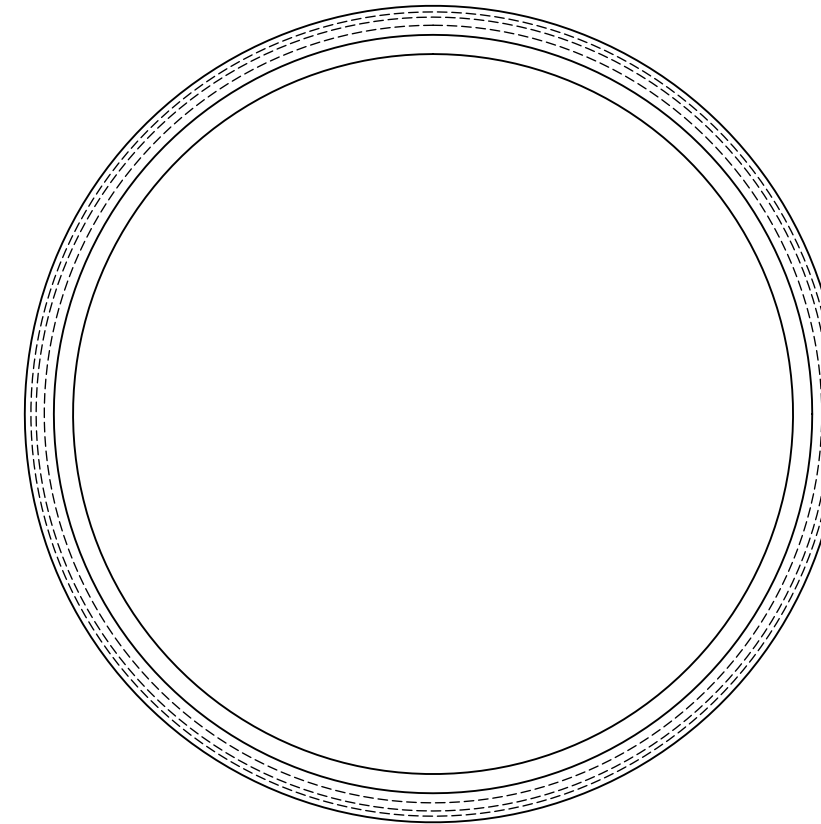
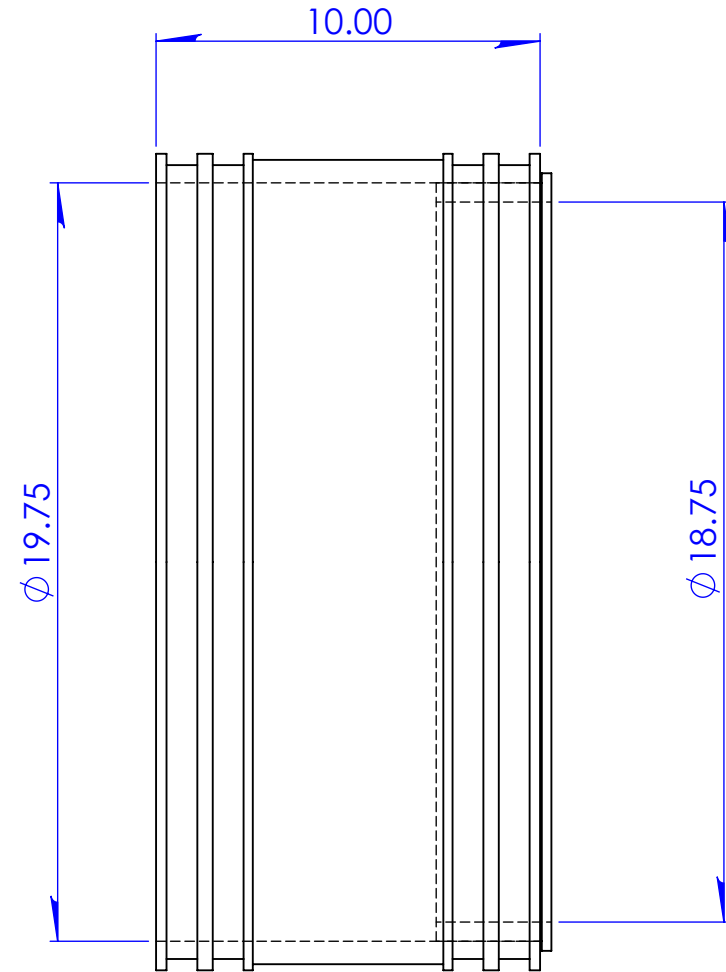


300 S. DAYTON ST.
 DAVISON, MI 48423
 PH: 810-653-9626
 FAX: 810-654-2616

1051-1818

DESCRIPTION:

Coupling 18" AC/DI x 18" CI/PL



PROPRIETARY AND CONFIDENTIAL
 THE INFORMATION CONTAINED IN THIS
 DRAWING IS THE SOLE PROPERTY OF
 FERNCO, INC. ANY REPRODUCTION IN
 PART OR AS A WHOLE WITHOUT THE
 WRITTEN PERMISSION OF FERNCO, INC.
 IS PROHIBITED.

TOLERANCES:
 .X= Fractional ±
 .XX= ±.06
 ANG.= ±3°
 UNLESS OTHERWISE SPECIFIED

Part Weight	14.84 lbs.	Installation Torque	120 in lbs.	UNITS: INCHES	SIZE: A	DESIGNER:	N. Goddard	SCALE:	not to scale
Min/Max Temp.	-30/140 Degrees F	Conforms to ASTM	D5926, C1173			CHECKER:	DATE:	10/25/2016	SHEET 1 OF 1
Pressure Tested		Clamps used	300 Series Stainless	3RD ANGLE PROJECTION DO NOT SCALE DRAWING					
Material	Flexible PVC 60 Duro Shore A	Box Quantity							