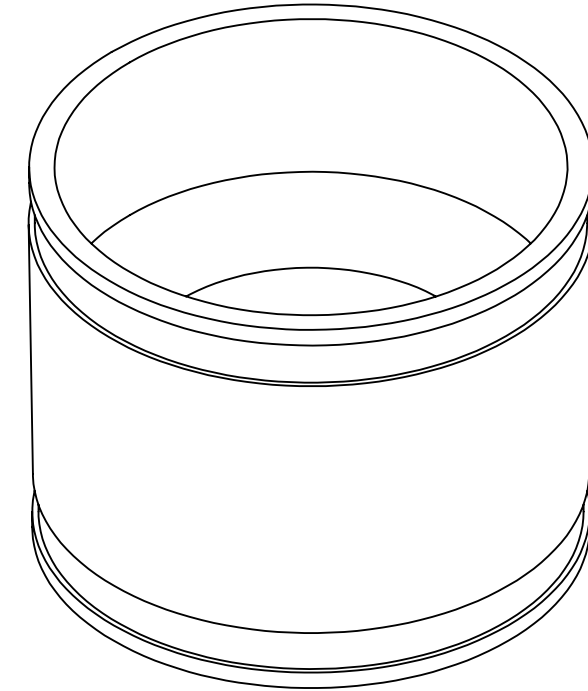
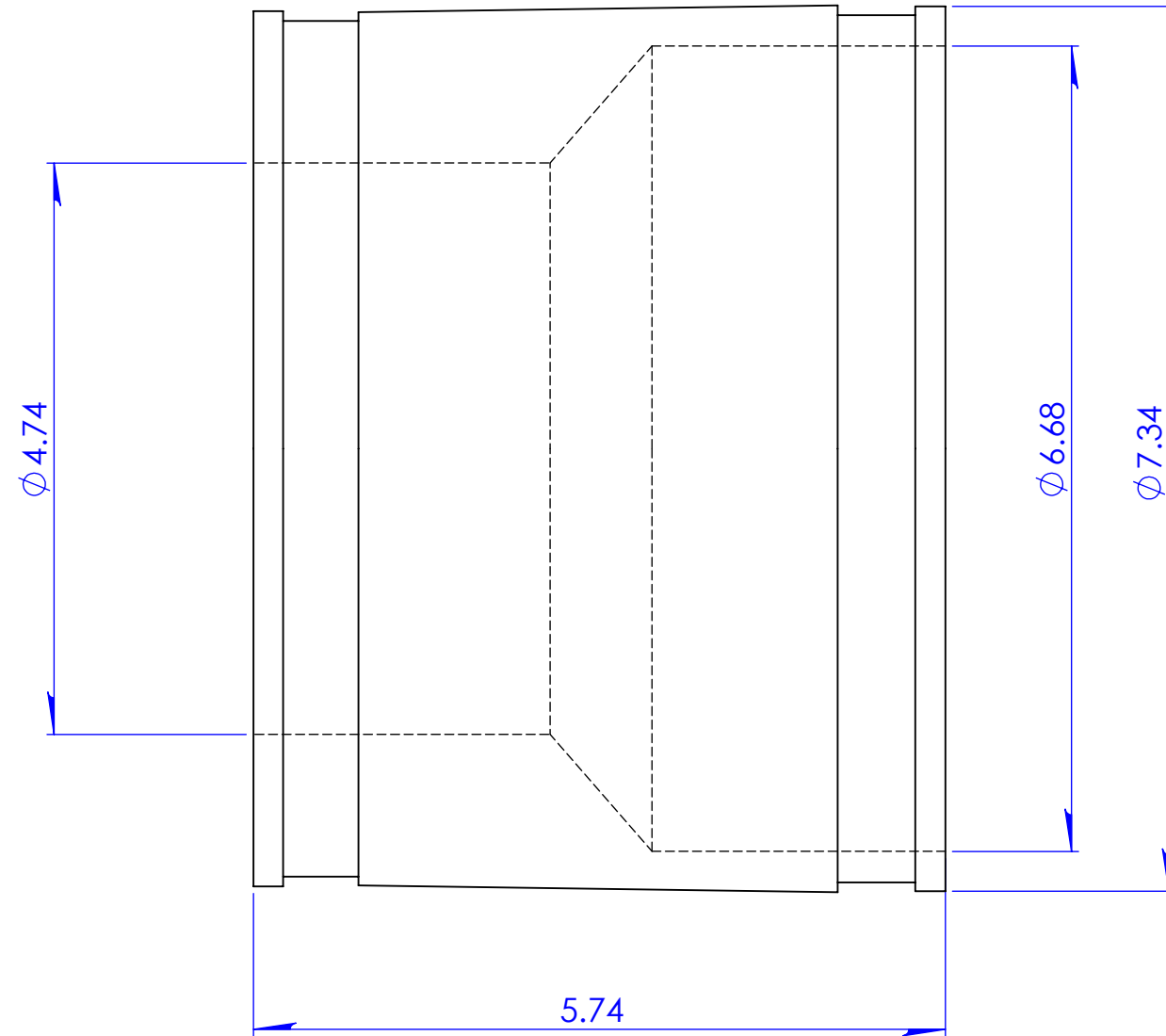




300 S. DAYTON ST.
 DAVISON, MI 48423
 PH: 810-653-9626
 FAX: 810-654-2616

1051-46RC

DESCRIPTION: Coupling 4" Ductile Iron, Asbestos Cement x 6" Cast Iron, Plastic, Steel, Copper, Lead Shielded



PROPRIETARY AND CONFIDENTIAL
 THE INFORMATION CONTAINED IN THIS
 DRAWING IS THE SOLE PROPERTY OF
 FERNICO, INC. ANY REPRODUCTION IN
 PART OR AS A WHOLE WITHOUT THE
 WRITTEN PERMISSION OF FERNICO, INC.
 IS PROHIBITED.

TOLERANCES:
 .X= Fractional ±
 .XX= ±.06
 ANG.= +3°
 UNLESS OTHERWISE SPECIFIED

Part Weight	4.46 lbs.	Installation Torque	60" Lbs.
Min/Max Temp.	-30/140 Degrees F	Conforms to ASTM	D5926, C1173
Pressure Tested	4.3 PSI	Clamps used	300 Series Stainless
Material	Flexible PVC 60 Duro Shore A	Box Quantity	

UNITS:	SIZE:	DESIGNER:	SCALE:
INCHES	A	D. Brady	not to scale
3RD ANGLE PROJECTION		CHECKER:	DATE:
DO NOT SCALE DRAWING			9/12/2011
			SHEET 1 OF 1