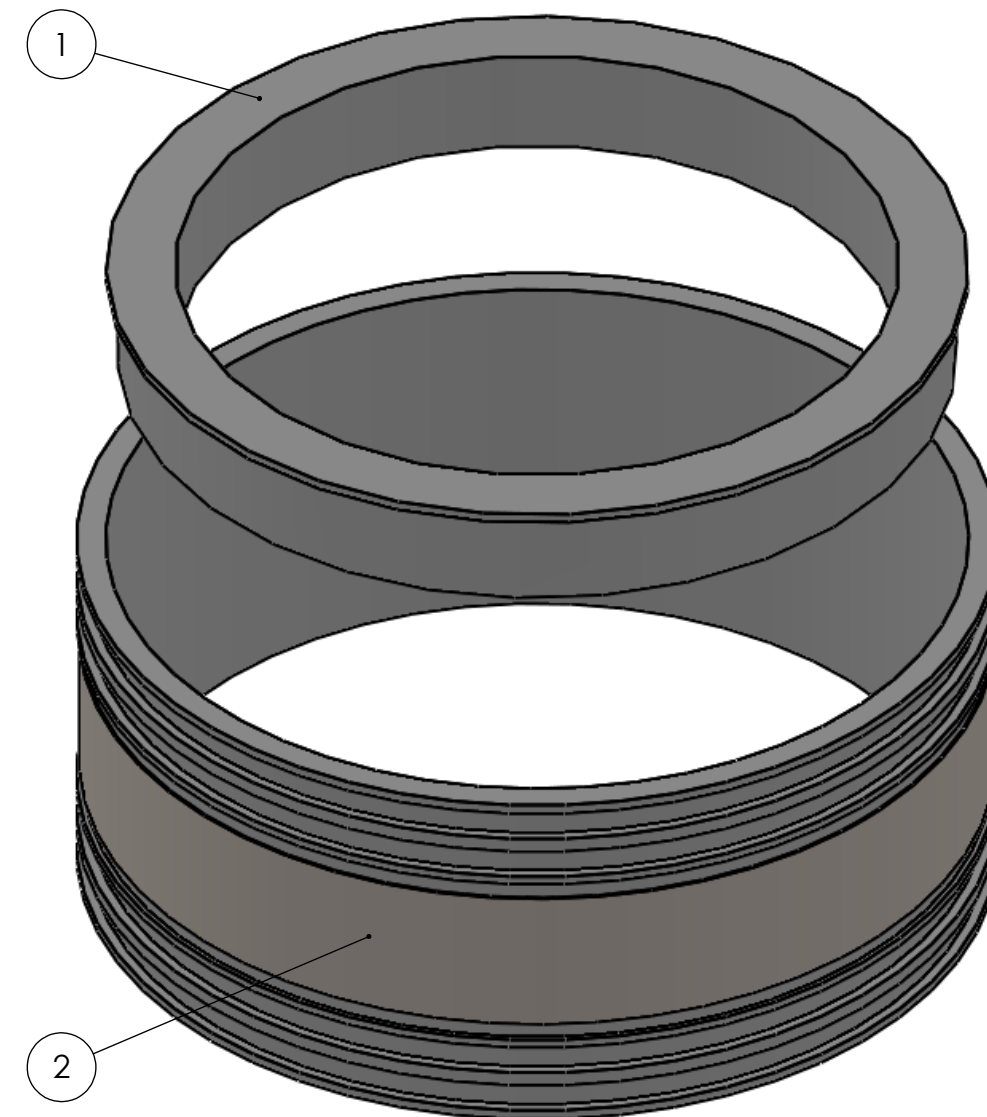
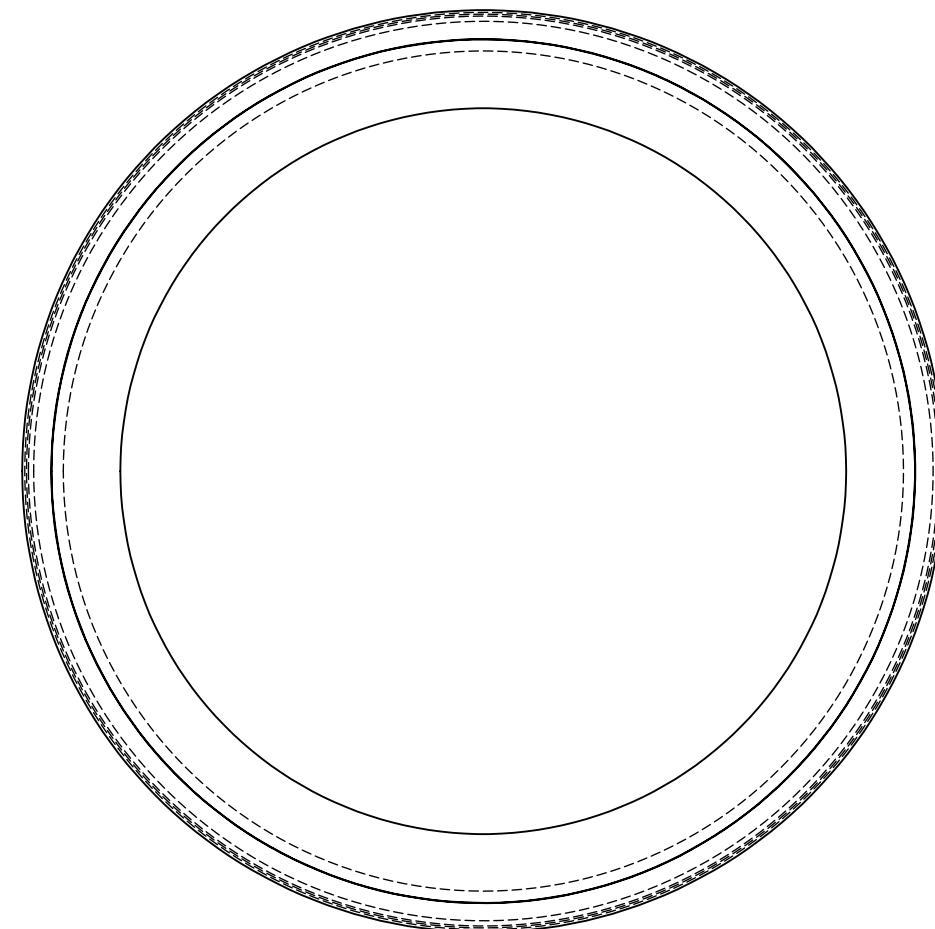
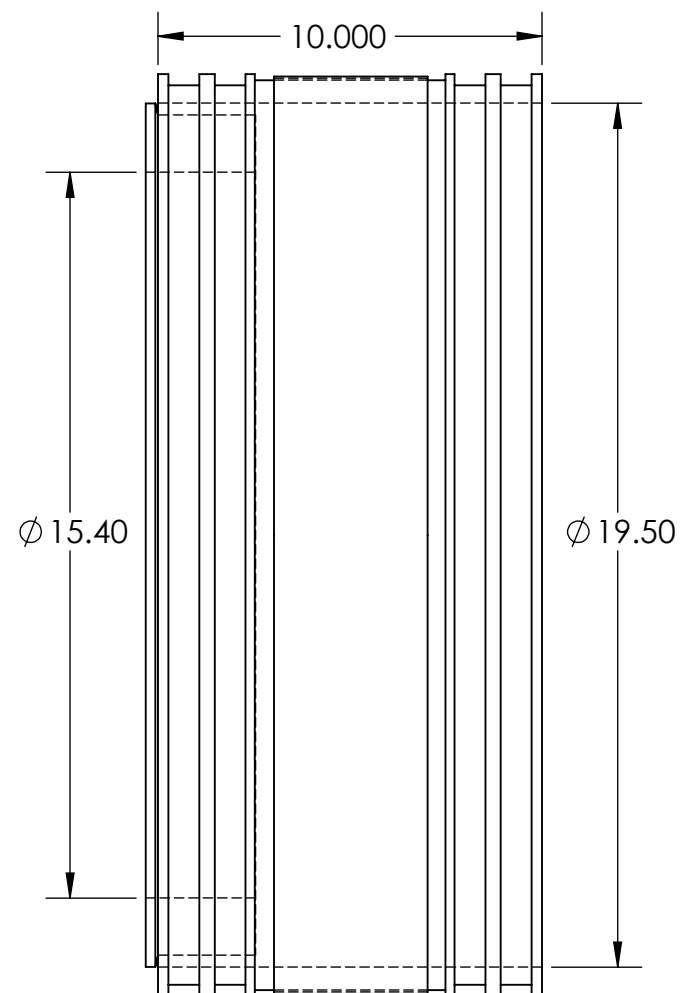




300 S. DAYTON ST.
 DAVISON, MI 48423
 PH: 810-653-9626
 FAX: 810-654-2616

DESCRIPTION:

1006-1515RC



Notes
 Equipped with SRC-65 .012 x 4.75
 LDC supplied with (8) 164-300 SS band clamps

ITEM NO.	PART NUMBER	DESCRIPTION	QTY.
1	LDCR 19.500-15.400R bushing	Reducer Bushing	1
2	1004-1515	Custom welded LDC	1

TOLERANCES:
 Fractional $\pm 1/8"$
 .XX = $\pm .06$
 ANG. = $\pm 3^\circ$
 UNLESS OTHERWISE SPECIFIED

Part Weight		Installation Torque	60 in lbs.
Min\Max Tep.	-30/140 Degrees F		
Pressure Tested	Gravity Flow	Conforms to ASTM	D5926
Material:	Flexible PVC 60 Duro Shore A		

UNITS: INCHES	SIZE: A	DESIGNER: T. Dipzinski	SCALE: not to scale
3RD ANGLE PROJECTION DO NOT SCALE DRAWING	CHECKER:	DATE: 04/02/2015	SHEET 1 OF 1

PROPRIETARY AND CONFIDENTIAL
 THE INFORMATION CONTAINED IN THIS
 DRAWING IS THE SOLE PROPERTY OF
 FERNCO, INC. ANY REPRODUCTION IN
 PART OR AS A WHOLE WITHOUT THE
 WRITTEN PERMISSION OF FERNCO, INC.
 IS PROHIBITED.