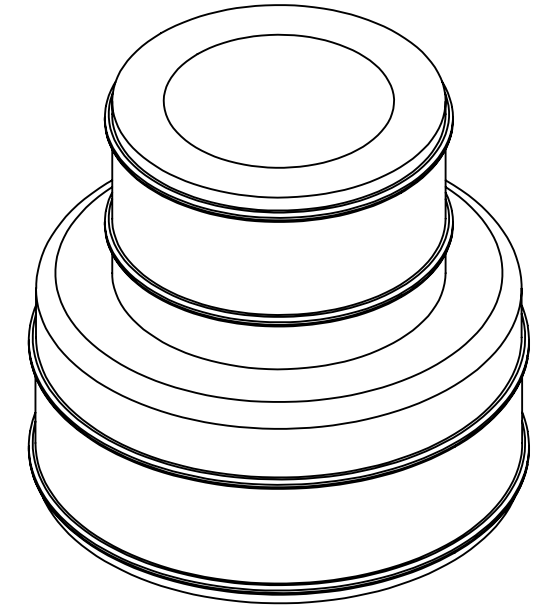
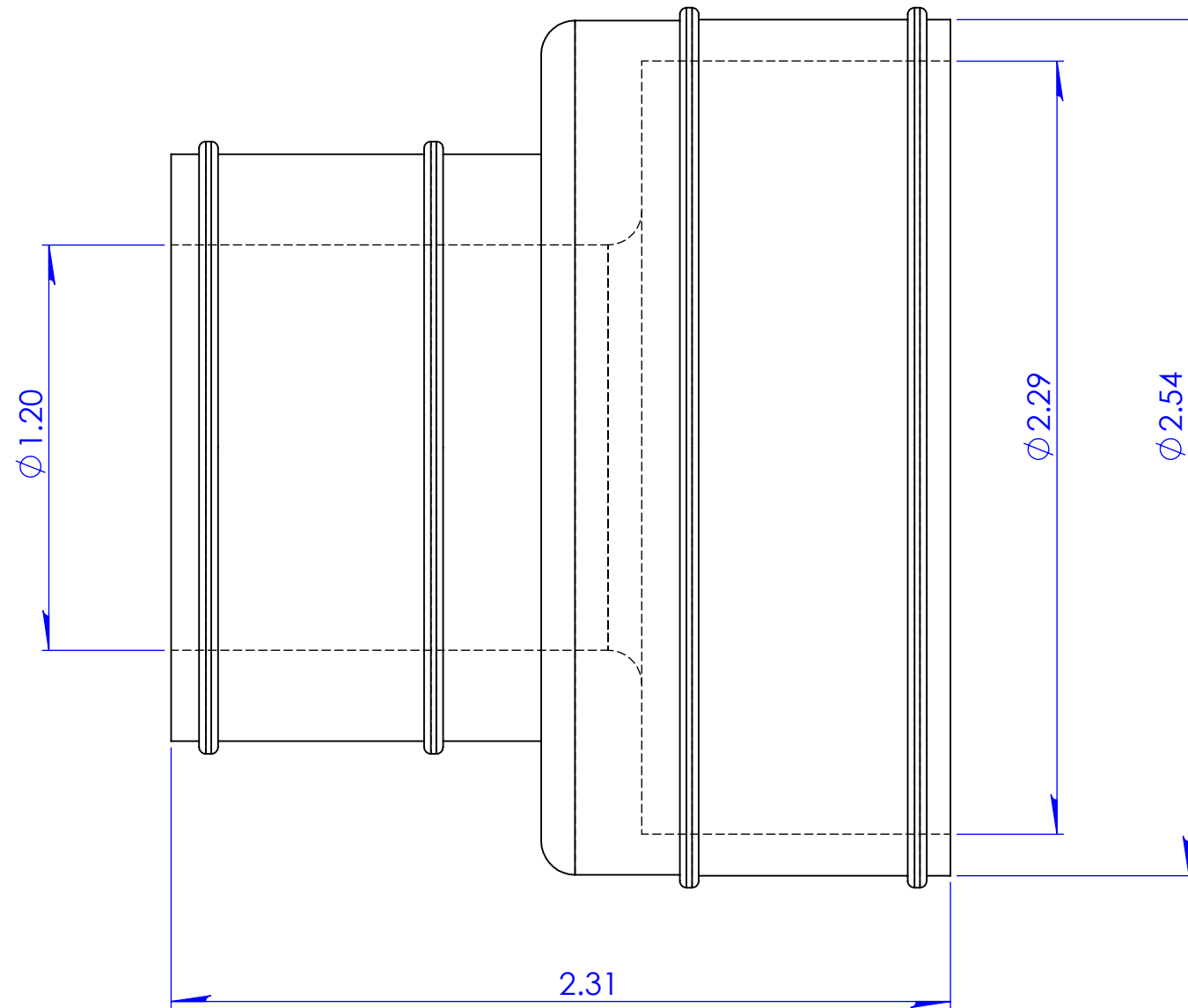




300 S. DAYTON ST.  
 DAVISON, MI 48423  
 PH: 810-653-9626  
 FAX: 810-654-2616

# DTC-210

DESCRIPTION: Coupling 2" Cast Iron Plastic x 3/4" or 1" Copper or Plastic



PROPRIETARY AND CONFIDENTIAL  
 THE INFORMATION CONTAINED IN THIS  
 DRAWING IS THE SOLE PROPERTY OF  
 FERNICO, INC. ANY REPRODUCTION IN  
 PART OR AS A WHOLE WITHOUT THE  
 WRITTEN PERMISSION OF FERNICO, INC.  
 IS PROHIBITED.

**TOLERANCES:**  
 .X= Fractional ±  
 .XX= ±.06  
 ANG.= +3°  
 UNLESS OTHERWISE SPECIFIED

Part Weight	0.37 lbs.	Installation Torque	60" Lbs.
Min/Max Temp.	-30/140 Degrees F	Conforms to ASTM	D5926, C1173
Pressure Tested	4.3 PSI	Clamps used	300 Series Stainless
Material	Flexible PVC 60 Duro Shore A	Box Quantity	

UNITS:	SIZE:
INCHES	<b>A</b>
3RD ANGLE PROJECTION	
DO NOT SCALE DRAWING	

DESIGNER:	SCALE:
D. Brady	not to scale
CHECKER:	DATE:
	1/16/2012

SHEET 1 OF 1