



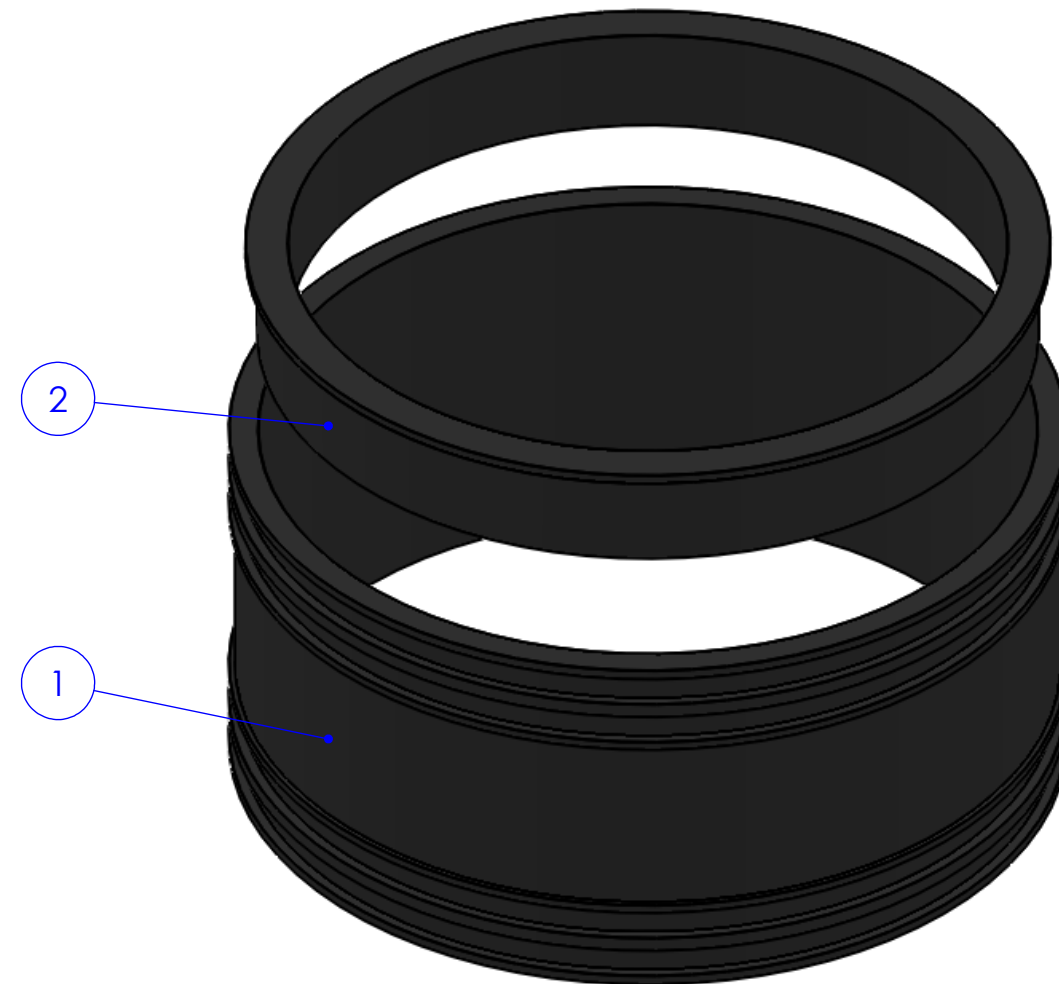
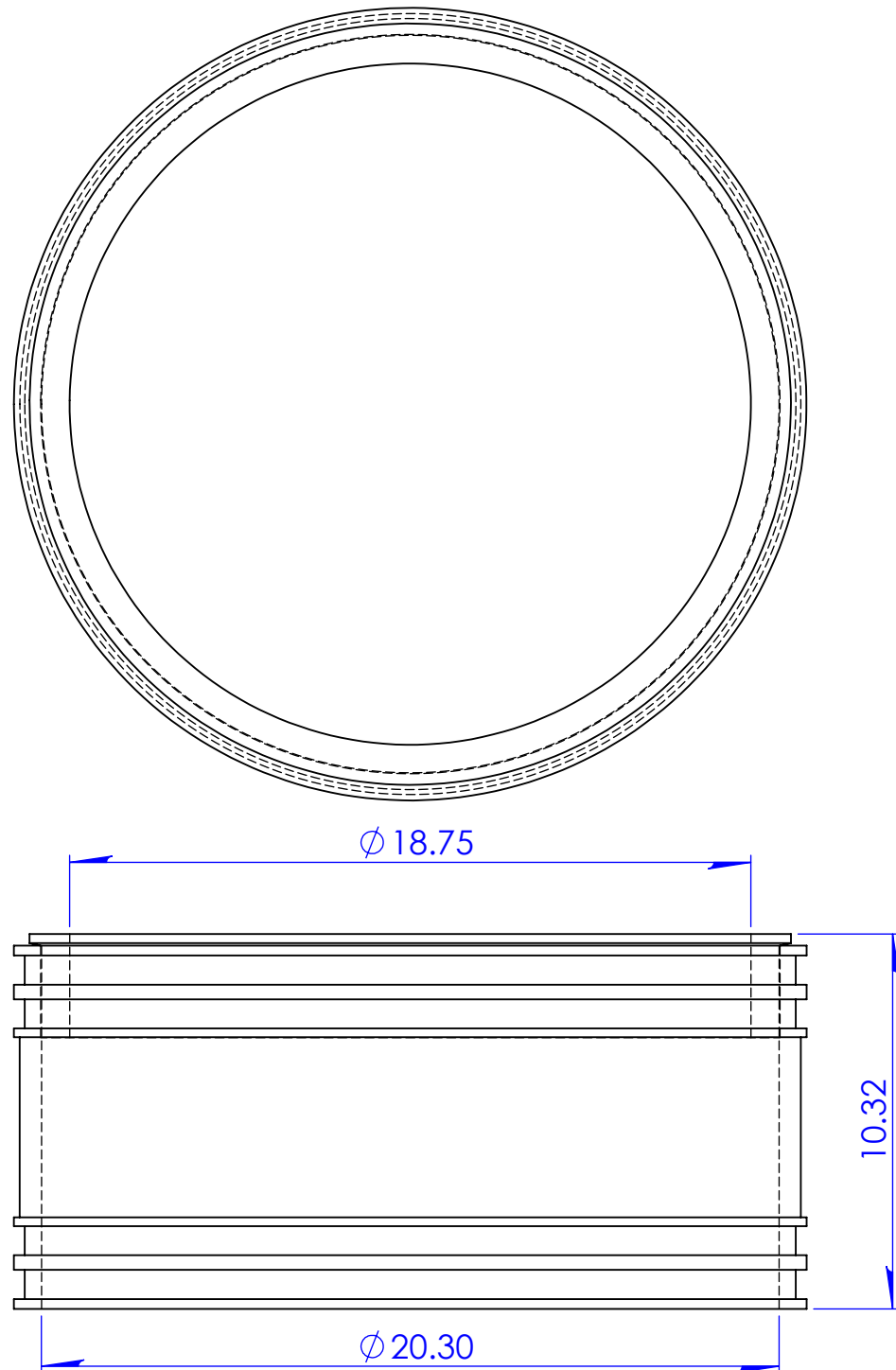
300 S. DAYTON ST.
 DAVISON, MI 48423
 PH: 810-653-9626
 FAX: 810-654-2616

1073-1818

DESCRIPTION:

18x18 ETI- SDR35 Coupling

Note
 Coupling Supplied with:
 300 SS High Torque Clamps



ITEM NO.	PART NUMBER	DESCRIPTION	QTY.
1	1072-1818	Welded Coupling	1
2	LDCR .75 - 18.750	Welded Reducer	1

PROPRIETARY AND CONFIDENTIAL
 THE INFORMATION CONTAINED IN THIS
 DRAWING IS THE SOLE PROPERTY OF
 FERNCO, INC. ANY REPRODUCTION IN
 PART OR AS A WHOLE WITHOUT THE
 WRITTEN PERMISSION OF FERNCO, INC.
 IS PROHIBITED.

TOLERANCES:
 Fractional $\pm 1/4"$
 .XX = $\pm .06$
 ANG. = $\pm 3^\circ$
 UNLESS OTHERWISE SPECIFIED

Part Weight		Installation Torque	120 in lbs
Min/Max Temp.	-30/140 Degrees F		D5926
Pressure Tested		Clamps used	300 Series Stainless
Material	Flexible PVC 60 Duro Shore A	Box Quantity	

UNITS: INCHES
 SIZE: **A**
 3RD ANGLE PROJECTION
 DO NOT SCALE DRAWING

DESIGNER: T. Oistad
 CHECKER:
 DATE: 02/10/2015

SCALE: not to scale
 SHEET 1 OF 1