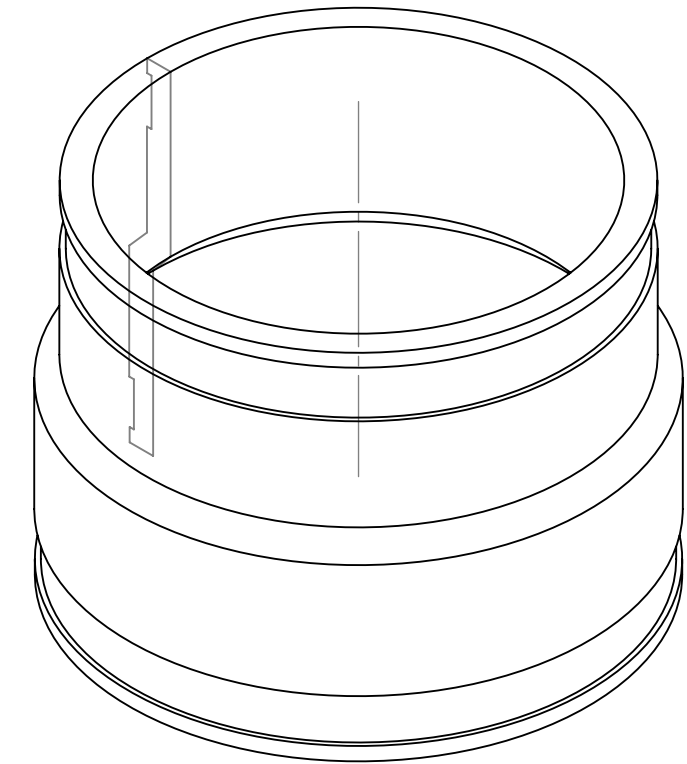
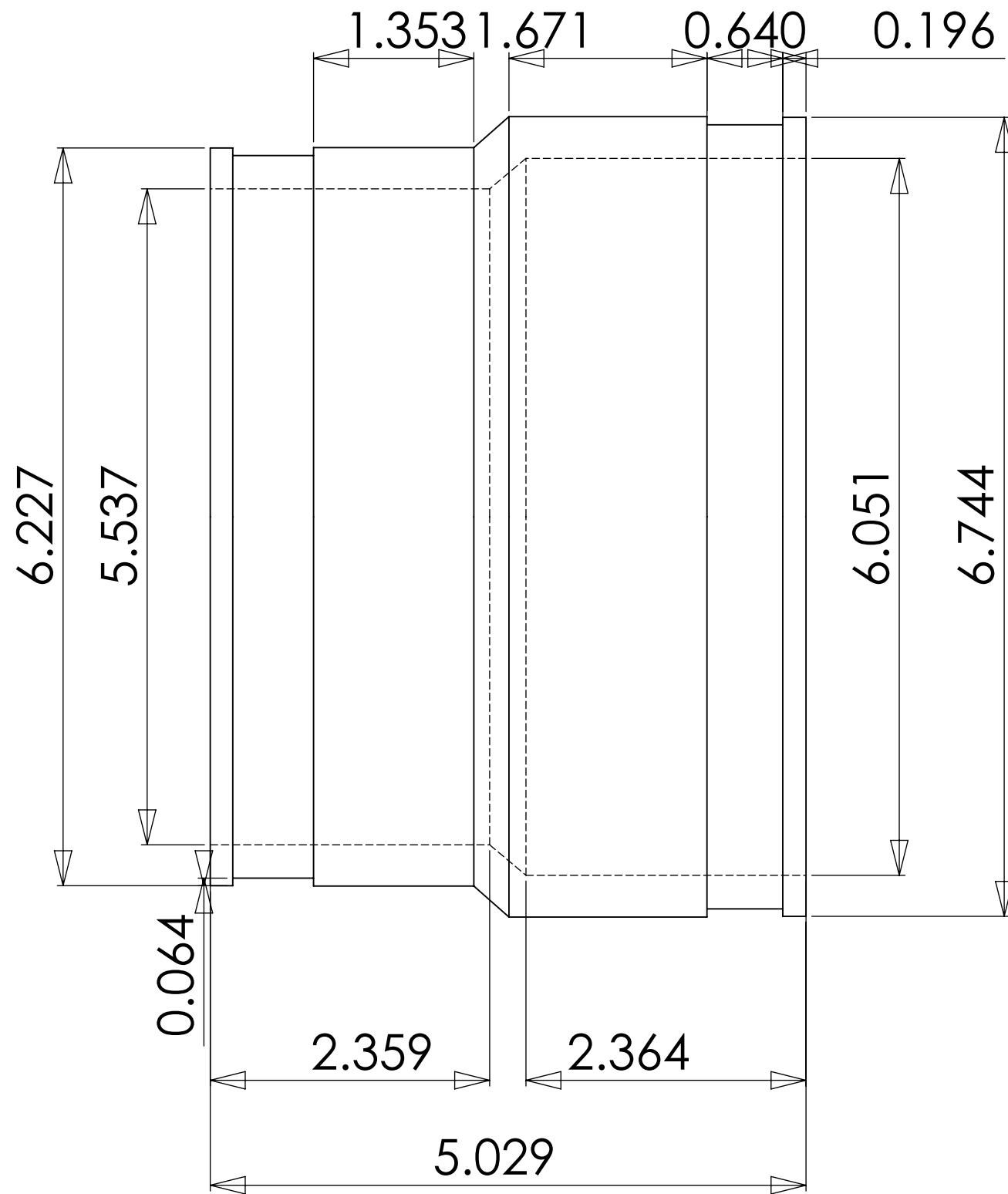


*This part requires two clamps, part number 096-300 and 104-300. See additional drawing for information on these clamps.



300 S. DAYTON ST.
DAVISON, MI 48423
PH: 810-653-9626
FAX: 810-654-2616

Part Weight	1.79 lbs.
Min/Max Temp.	-30/140 Degrees F
Pressure Tested	4.3 PSI
Material	Flexible PVC
Installation Torque	60" Lbs.
Conforms to ASTM	D5926
Box Quantity	10
Clamps used	300 Series

TOLERANCES: .X= Fractional ± .XX= ±.02 .XXX= ±.030 ANG.= ±0.5° UNLESS OTHERWISE SPECIFIED		DESCRIPTION: Coupling 5" Clay x 5" PVC	
UNITS: INCHES		1002-55	
SIZE: A	DESIGNER: D. Brady	SCALE: not to scale	SHEET 1 OF 1
3RD ANGLE PROJECTION DO NOT SCALE DRAWING		CHECKER:	DATE: 5/10/2007

NOTES:
 -SOME HIDDEN LINES NOT SHOWN
 -BREAK ALL SHARP CORNERS
 -REPORT ALL CHANGES TO ENGINEERING

PROPRIETARY AND CONFIDENTIAL
 THE INFORMATION CONTAINED IN THIS DRAWING IS THE SOLE PROPERTY OF FERNCO, INC. ANY REPRODUCTION IN PART OR AS A WHOLE WITHOUT THE WRITTEN PERMISSION OF FERNCO, INC. IS PROHIBITED.