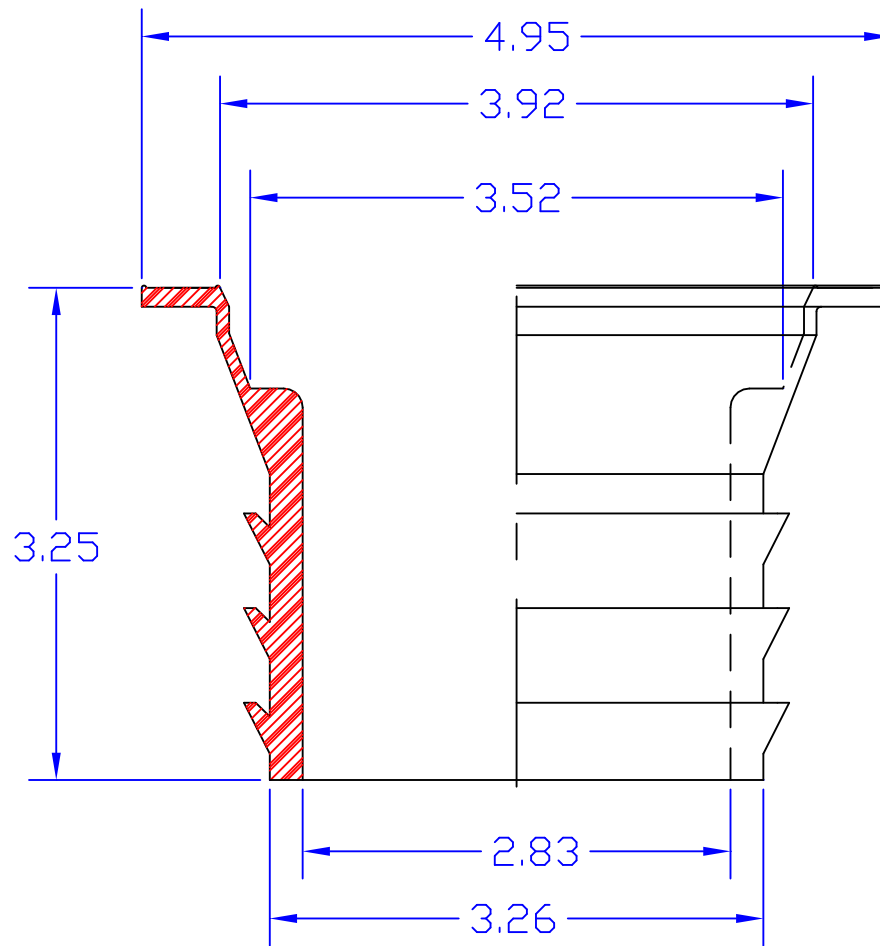


REVISIONS				
ZONE	REV	DESCRIPTION	DATE	APPROVED



\*Notes\*

1. Conforms to ASTM A 1045
2. Permanent Pressure Sensitive Adhesive
3. UPC Approved
4. Connects Toilet Horn to 3 1/2" ID Plastic Flange



UNLESS OTHERWISE SPECIFIED:  
DIMENSIONS ARE IN INCHES  
TOLERANCES  
DECIMALS .XX ± .062 ANGULAR ± 0.5°  
.XXX ± .032  
DO NOT SCALE DRAWING

DRAWN **AJD** DATE **29 Oct 10**

CHECKED

**FTS-4CF**

Wax Free Toilet Seal

SIZE	FSCM NO.	DWG NO.	REV
<b>A</b>			